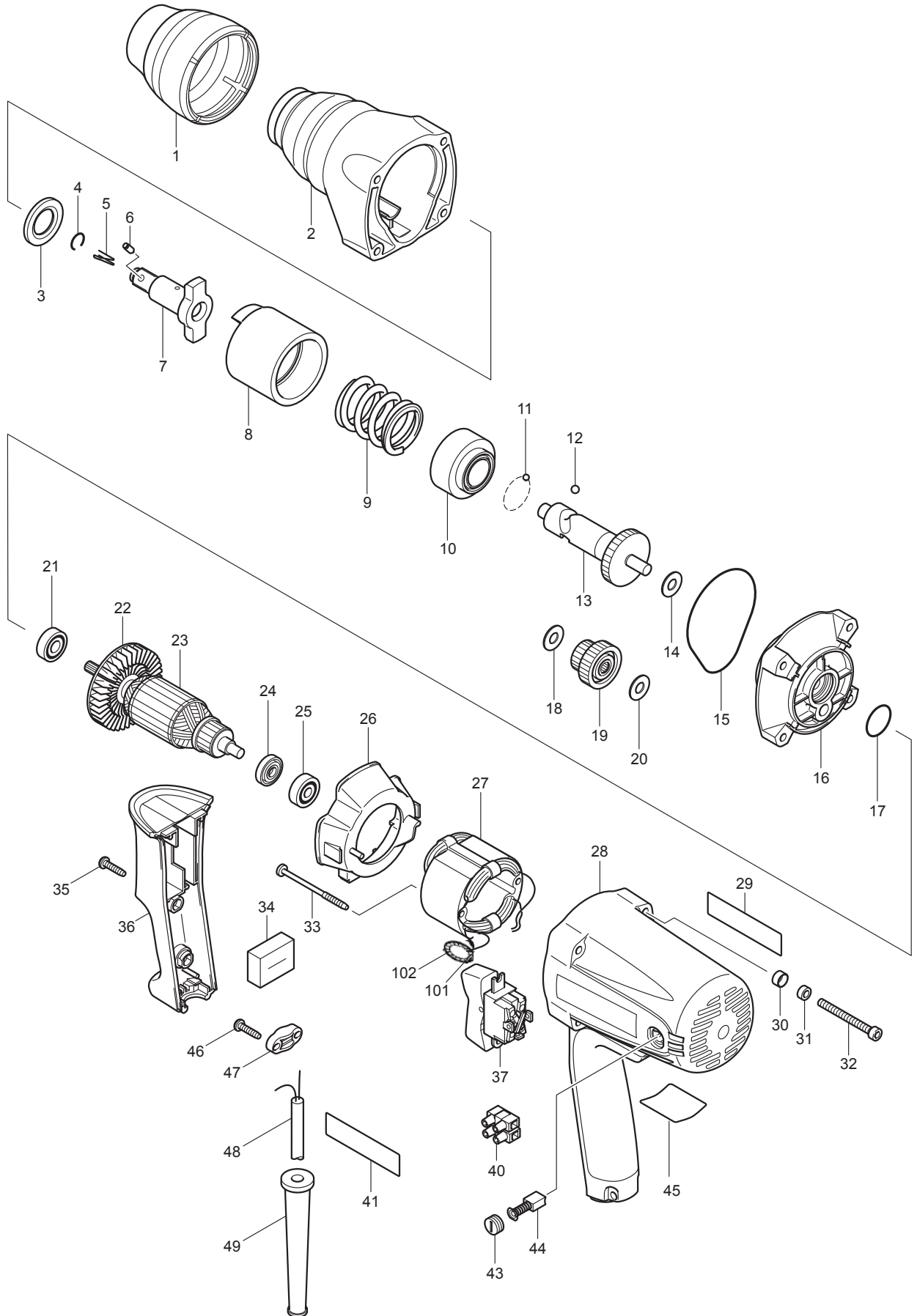




11 - 2009
TW0350
1/2" IMPACT WRENCH



PARTS LIST

Item No	Type	Part No	Description	Qty	Unit
001		421837-6	BUMPER	1	PC.
002		153623-4	HAMMER CASE COMPLETE	1	PC.
002	INC.	213257-6	OIL SEAL 18	1	PC.
002	INC.	321119-5	SLEEVE 18	1	PC.
003		267268-3	FLAT WASHER 19	1	PC.
005		322045-1	CLIP	1	PC.
006	2	268098-5	PIN 4 (FLAT HEAD)	1	PC.
007	2	326982-1	ANVIL	1	PC.
008		324336-6	HAMMER	1	PC.
009		233383-5	COMPRESSION SPRING 28	1	PC.
010		313115-7	SPRING HOLDER	1	PC.
011		216008-6	STEEL BALL 4	19	PC.
012		216007-8	STEEL BALL 6.4	2	PC.
013		324338-2	SPINDLE	1	PC.
014		253139-0	FLAT WASHER 8	1	PC.
015		421838-4	SEAL RING	1	PC.
016		153624-2	HAMMER CASE COVER COMPLETE	1	PC.
017		213373-4	O RING 22	1	PC.
018		253139-0	FLAT WASHER 8	1	PC.
019		153626-8	SPUR GEAR 19-41 COMPLETE	1	PC.
020		253139-0	FLAT WASHER 8	1	PC.
021		210024-0	BALL BEARING 608LLU	1	PC.
022		241884-9	FAN 60	1	PC.
023		515261-4	ARMATURE ASS'Y 115V	1	PC.
023	INC.		Item No. 21,22,24,25		
024		681614-0	INSULATION WASHER	1	PC.
025		210025-8	BALL BEARING 627LLB	1	PC.
026		418180-2	BAFFLE PLATE	1	PC.
027		625161-1	FIELD 115V	1	PC.
028	2	153625-0	MOTOR HOUSING	1	PC.
028	2	INC. 643455-2	BRUSH HOLDER 6X9	2	PC.
030		253929-1	CUP WASHER 5	4	PC.
031		262001-8	URETHANE RING 5	4	PC.
032		266331-9	HEX. SOCKET HEAD BOLT M5X50	4	PC.
033		266091-3	TAPPING SCREW 4X50	2	PC.
035		265995-6	TAPPING SCREW 4X18	2	PC.
036		418179-7	HANDLE COVER	1	PC.
037		651572-4	SWITCH SL220SD-19	1	PC.

Item No	Type	Part No	Description	Qty	Unit
040	2	654741-6	TERMINAL BLOCK	1	PC.
043		643550-8	BRUSH HOLDER CAP 5-8	2	PC.
044	2	195008-8	CARBON BRUSH CB-408 2PC/SET (W/ ORIGIN)	1	SET
045		850644-4	NAME PLATE F/TW0350	1	PC.
046		265995-6	TAPPING SCREW 4X18	2	PC.
047		687063-9	CORD CLAMP (STRAIN RELIEF)	1	PC.
048		664064-4	CORD W/PLUG 2P-18-2.5M, SJ	1	PC.
049		682559-5	CORD GUARD 8	1	PC.
100		654037-5	INSULATED EYE TERMINAL FT1.25-M3	4	PC.
101		654501-6	TERMINAL P-1.25	2	PC.
102		654100-4	GARTER SPRING	2	PC.
A01		824702-2	PLASTIC CARRYING CASE	1	PC.
A01	INC.	186347-7	SLIDE LATCH SET	1	SET
A02		134874-8	EXTENSION BAR 12.7 ASSY	1	PC.
A03		134877-2	UNIVERSAL JOINT 1/2" - LARGE	1	PC.
A04		134873-0	B/T ADAPTOR 1/2" DRIVE BIT	1	PC.
A04		B-68448	B/T ADAPTOR 1/2" SQ TO 1/4" HEX	1	PC.
A05		194485-1	FLAT PIN 4 SET (See Instruction Manual 194485-1)	1	PC.
A05	INC.	268098-5	PIN 4 (FLAT HEAD)	1	PC.
A05	INC.	322045-1	CLIP	1	PC.
A05	INC.	345842-8	HOOK (Not available as an individual part)	1	PC.
A06		195871-9	DRILL BIT REMOVER SET	1	PC.